

A

B

C

D

E

F

G

H

4

3

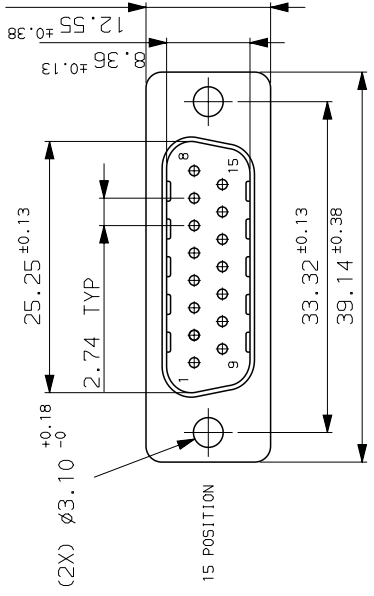
2

1

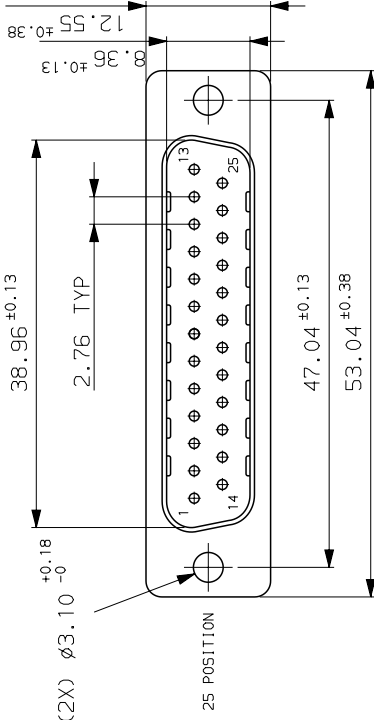
NOTES:

- 1- MATERIAL STEEL WITH 0.005 MINI BRIGHT TIN PLATING OVER COPPER FLASH
- 2- INSERTS GLASS FILLED NYLON 94V-0 GRADE SELF EXTINGUISHING BLACK IN COLOR

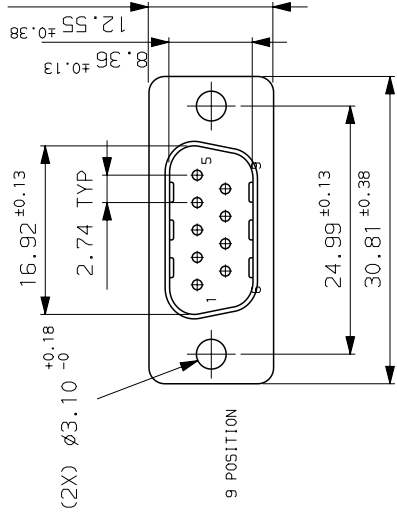
PART NUMBER 865615PLTX



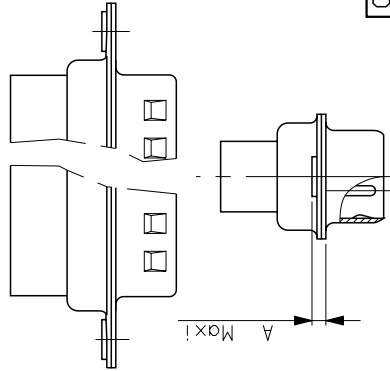
PART NUMBER 865625PLTX



PART NUMBER 865609PLTX

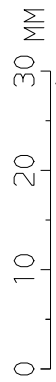


A=1.5mm for 9,15,25 positions



Core range

Part number	8656xxPLTX		
d	18/04/03	removal part number	--
ISS DATE	Latest modification by : BART.S		
Designed by: BOUTTIER date:19/11/91 Type of drawing: CUSTOMER			
TITLE : CONNECTORS MALE 8656			
SCALE:	2		--
		This document is the property of FRAMATOME CONNECTORS FRANCE. It must not be reproduced or communicated without permission in writing from the owners.	
FRAMATOME CONNECTORS FRANCE Rue Louis Breguet - Bp 05 72024 LE MANS Cedex Tel. 33 (16) 43.84.08.43		SOURIAU DRG N° C01-8656-0408-1	
FORMAT	A3	PROJECT	M94D001



A

B

C

D

E

F

G

H

4

3

2

1